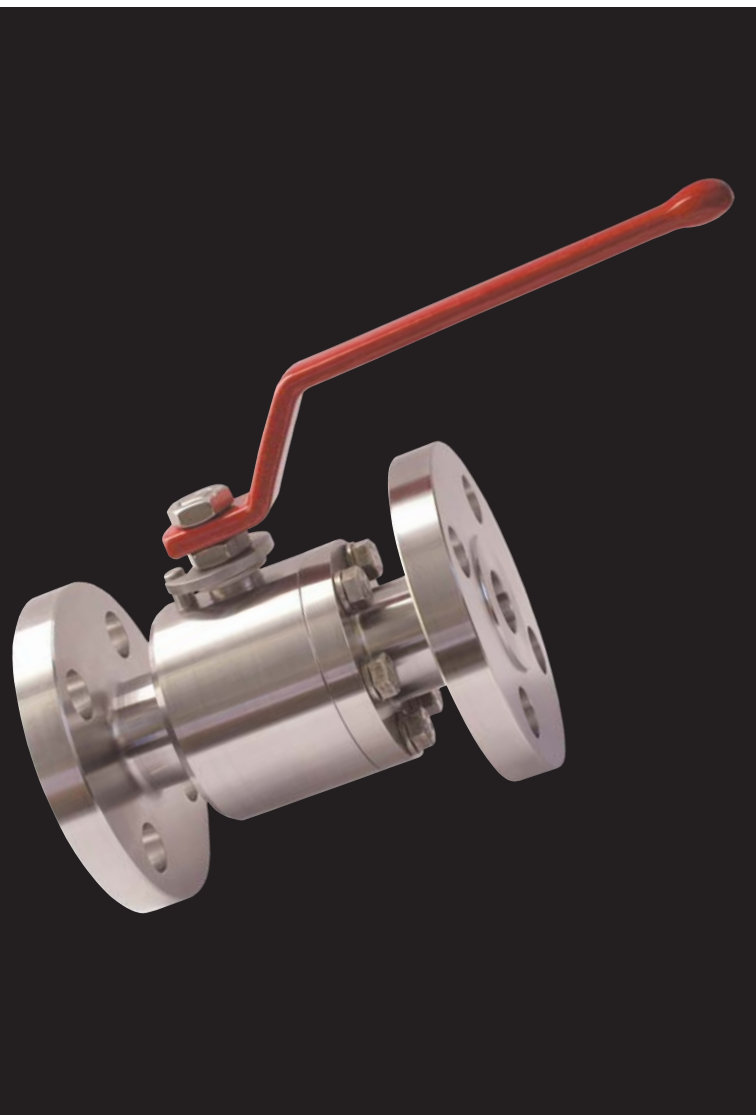




## ***Floating ball valve split body full and reduced bore***

- RF - RJ - HUB - BW ENDS
- LEVER, GEAR, PNEUMATIC, HYDRAULIC, ELECTRIC MOTOR OPERATED
- SELF RELIEVING SEATS DOUBLE BLOCK & BLEED OR DOUBLE PISTON EFFECT (option)

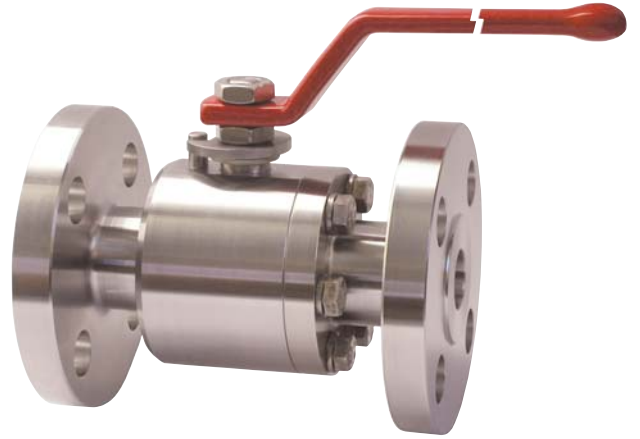


# Art. 75

## TWO or THREE PIECES SPLIT BODY FULL AND REDUCED BORE

- RF - RJ - BW ENDS
- SOFT AND METAL SEATED

Za.Ve.Ro. API 6D / BS 5351 floating ball Valves are 2 or 3 pieces, construction type, flanged ends, split body, side entry, in bolted execution, blowout proof stem, fitted with antistatic device. Please refer to the tables on pages 51-52 for relevant information on available materials.



Available pressure ratings: • ANSI 150-300-600-900-1500-2500

FULL BORE	1/2"	3/4"	1"	1 1/4"	1 1/2"	2"	2 1/2"	3"	4"	6"
DN	15	20	25	32	40	50	65	80	100	150
REDUCED BORE	-	3/4" x 1/2"	1" x 3/4"	1 1/4" x 1"	1 1/2" x 1 1/4"	2" x 1 1/2"	2 1/2" x 2"	3" x 2"	4" x 3"	6" x 4"
ANSI 150	●	●	●	●	●	●	●	●	●	●
ANSI 300	●	●	●	●	●	●	●	●	●	●
ANSI 600	●	●	●	●	●	●	●	●	●	●
ANSI 900	●	●	●	●	●	●	●	●	●	●
ANSI 1500	●	●	●	●	●	●	●	●	●	●
ANSI 2500	●	●	●	●	●	●	●	●	●	●

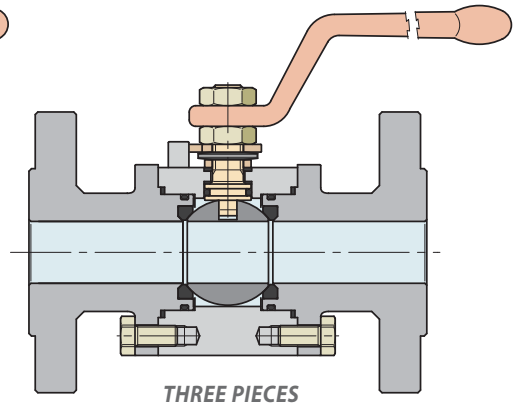
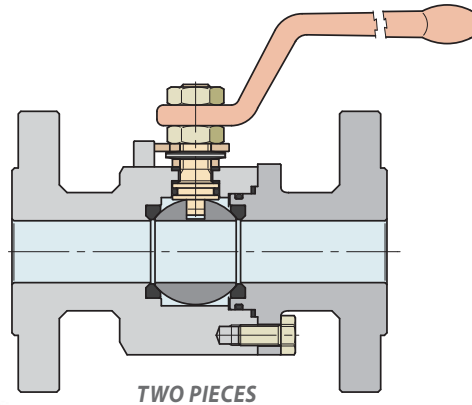
● Size available    ■ Size not available    ■ Three pieces type

**CONSTRUCTION:**

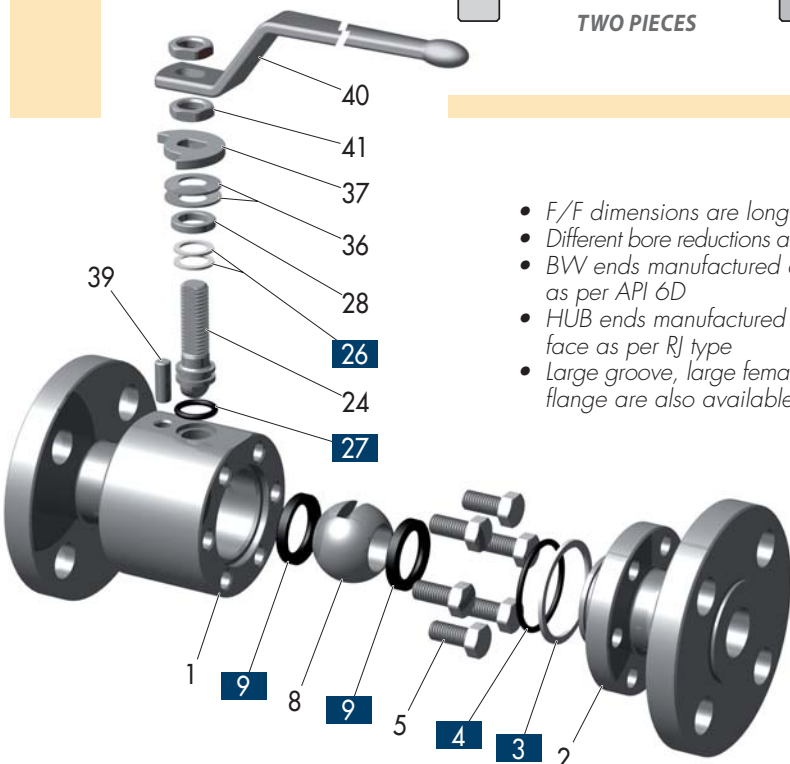
- API 6D
- B16.34
- BS 5351
- FIRE SAFE SYSTEM API 607
- ANTISTATIC
- TA-LUFT - 3.1.8.4

**OPTION:**

- LOCKING DEVICE
- EXTENDED STEM
- METAL TO METAL SEAT
- GARLOCK PACKING



For materials see paragraph: TECHNICAL INFORMATION



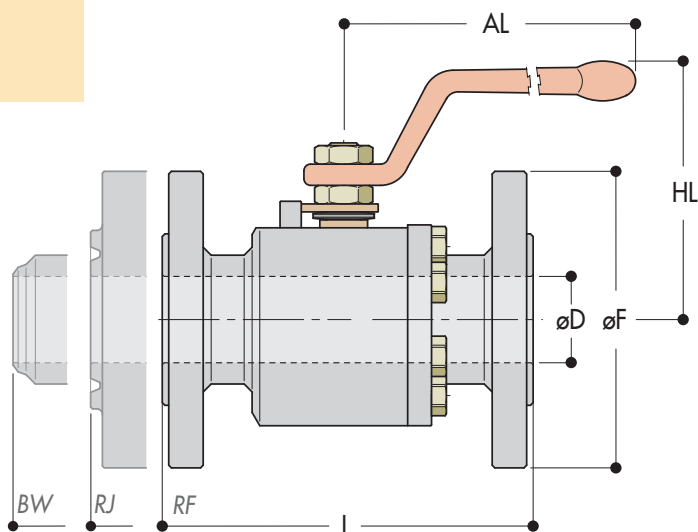
- F/F dimensions are long-pattern design
- Different bore reductions are available upon request.
- BWV ends manufactured as standard with to face as per API 6D
- HUB ends manufactured as standard with face to face as per RJ type
- Large groove, large female, flat face and compact flange are also available upon request.

**Recommended spare parts**

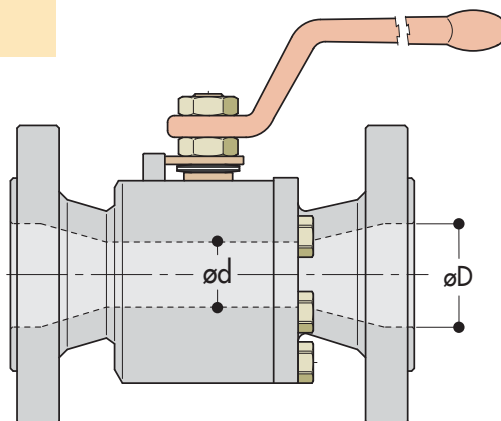
1	Body
2	Closure
3	Closure gasket
4	Closure O-Ring
5	Closure bolt
8	Ball
9	Seat insert
24	Stem
26	Stem gasket
27	Stem O-Ring
28	Ring
36	Spring washer
37	Stop sector
39	Stop pin
40	Lever
41	Lever nut



FULL BORE TYPE



REDUCED BORE TYPE



	SIZE - Bore		L			ød	øD	øF	AL	HL	Weight
	Full	Reduced	RF	RJ	BW						
ANSI 150	1/2"		108	121	-	14	89	180	85	3	
		3/4" x 1/2"	117	130	-	14	98	180	85	3	
	3/4"		117	130	-	19	98	180	85	3	
		1" x 3/4"	127	140	-	19	108	215	120	5	
	1"		127	140	-	25	108	215	120	5	
		1 1/2 x 1 1/4	165	178	-	32	127	215	130	9	
	1 1/2"		165	178	-	38	127	215	130	9	
		2" x 1 1/2	178	191	216	38	152	215	130	10	
	2"		178	191	216	49	152	215	130	14	
		3" x 2"	203	216	283	49	191	274	170	20	
ANSI 300	3"		203	216	283	75	191	274	170	24	
		4" x 3"	229	241	305	75	229	335	215	43	
	4"		229	241	305	101	229	335	215	46	
		6" x 4"	394	406	457	101	279	500	250	83	
	6"		394	406	457	150	279	500	270	121	

	SIZE - Bore		L			ød	øD	øF	AL	HL	Weight
	Full	Reduced	RF	RJ	BW						
ANSI 300	1/2"		140	151	-	14	19	95	180	85	5
		3/4" x 1/2"	152	165	-	14	19	118	215	130	6
	3/4"		152	165	-	19	118	215	130	6	
		1" x 3/4"	165	178	-	19	124	215	130	7	
	1"		165	178	-	25	124	215	130	8	
		1 1/2 x 1 1/4	190	203	-	32	156	215	130	13	
	1 1/2"		190	203	-	38	156	215	130	13	
		2" x 1 1/2	216	232	216	38	165	274	145	16	
	2"		216	232	216	49	165	274	145	16	
		3" x 2"	283	298	283	49	210	335	160	32	
ANSI 600	3"		283	298	283	75	210	335	190	38	
		4" x 3"	305	321	305	75	254	335	210	56	
	4"		305	321	305	101	254	335	250	78	

	SIZE - Bore		L			ød	øD	øF	AL	HL	Weight
	Full	Reduced	RF	RJ	BW						
ANSI 600	1/2"		165	165	-	14	95	180	80	4	
		3/4" x 1/2"	191	191	-	14	118	215	80	5	
	3/4"		191	191	-	19	118	215	135	7	
		1" x 3/4"	216	216	-	19	124	215	120	8	
	1"		216	216	-	25	124	215	120	8	
		1 1/2 x 1 1/4	241	241	-	32	156	274	130	15	
	1 1/2"		241	241	-	38	156	274	140	16	
		2" x 1 1/2	292	295	292	38	165	274	140	20	
	2"		292	295	292	49	165	274	140	20	
		3" x 2"	356	359	356	49	210	335	190	40	
ANSI 900	3"		356	359	356	75	210	335	190	46	

	SIZE - Bore		L			ød	øD	øF	AL	HL	Weight
	Full	Reduced	RF	RJ	BW						
ANSI 900	1/2"		216	216	-	14	121	215	120	8	
		3/4" x 1/2"	229	229	-	14	130	215	125	10	
	3/4"		229	229	-	19	130	215	125	10	
		1" x 3/4"	254	254	-	19	149	274	125	12	
	1"		254	254	-	25	149	274	125	14	
		1 1/2 x 1 1/4	305	305	-	32	178	274	145	25	
	1 1/2"		305	305	-	38	178	274	145	28	
		2" x 1 1/2	368	371	368	38	216	335	160	30	
	2"		368	371	368	49	216	335	160	34	

	SIZE - Bore		L			ød	øD	øF	AL	HL	Weight
	Full	Reduced	RF	RJ	BW						
ANSI 1500	1/2"		216	216	-	14	121	215	120	8	
		3/4" x 1/2"	229	229	-	14	130	215	125	10	
	3/4"		229	229	-	19	130	215	125	10	
		1" x 3/4"	254	254	-	19	149	274	125	12	
	1"		254	254	-	25	149	274	125	14	
		1 1/2 x 1 1/4	305	305	-	32	178	274	145	25	
	1 1/2"		305	305	-	38	178	274	145	28	
		2" x 1 1/2	368	371	368	38	216	335	160	30	
	2"		368	371	368	49	216	335	160	34	

	SIZE - Bore		L			ød	øD	øF	AL	HL	Weight
	Full	Reduced	RF	RJ	BW						
ANSI 2500	1/2"		264	264	-	14	133	215	120	11	
		3/4" x 1/2"	273	273	-	14	140	274	125	13	
	3/4"		273	273	-	19	140	274	125	14	
		1" x 3/4"	308	308	-	19	159	274	130	17	
	1"		308	308	-	25	159	274	130	19	
		1 1/2 x 1 1/4	384	387	-	32	203	450	210	51	
	1 1/2"		384	387	-	38	203	450	210	51	

All dimensions are in mm, weights are in kg.

For further details see paragraph: TECHNICAL INFORMATION

# Art. 22

## TWO PIECES SPLIT BODY FULL AND REDUCED BORE

- NPT - BSP - GAS M and F THREADED ENDS
- BW - SW - PE NIPPLED ENDS
- SOFT AND METAL SEATED
- NIPPLES INTEGRAL WITH THE BODY

Za.Ve.Ro. API 6D/BS 5351 floating ball Valves are 2 pieces, split body, side entry, in bolted execution, blowout proof stem, fitted with antistatic device. Please refer to the tables on pages 51-52 for relevant information on available materials.



Available from: • 800-1500-2500 lbs

FULL BORE	1/4"	3/8"	1/2"	3/4"	1"	1 1/4"	1 1/2"	2"						
DN	8	10	15	20	25	32	40	50						
REDUCED BORE	-	-	1/2"x3/8"	3/4"x1/2"	1" x 3/4"	1 1/4"x1"	1 1/2"x1 1/4"	2" x 1 1/2"						
800 lbs	●	●	●	●	●	●	●	●						
1500 lbs	●	●	●	●	●	●	●							
2500 lbs	●	●	●	●	●	●								

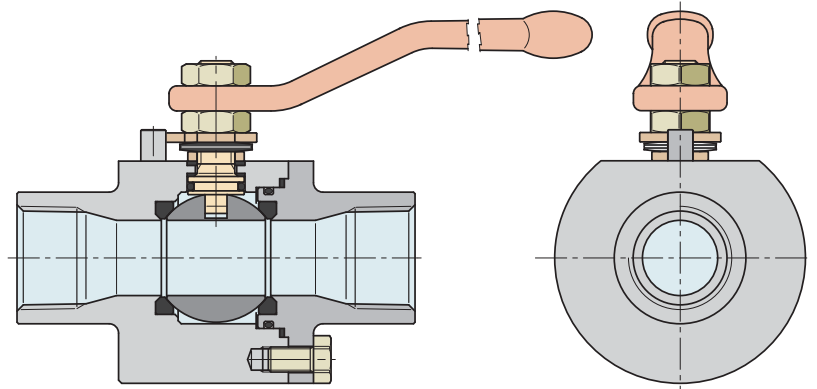
● Size available      ■ Size not available

### CONSTRUCTION:

- API 6D
- B16.34
- BS 5351
- FIRE SAFE SYSTEM API 607
- ANTISTATIC
- TA-LUFT - 3.1.8.4

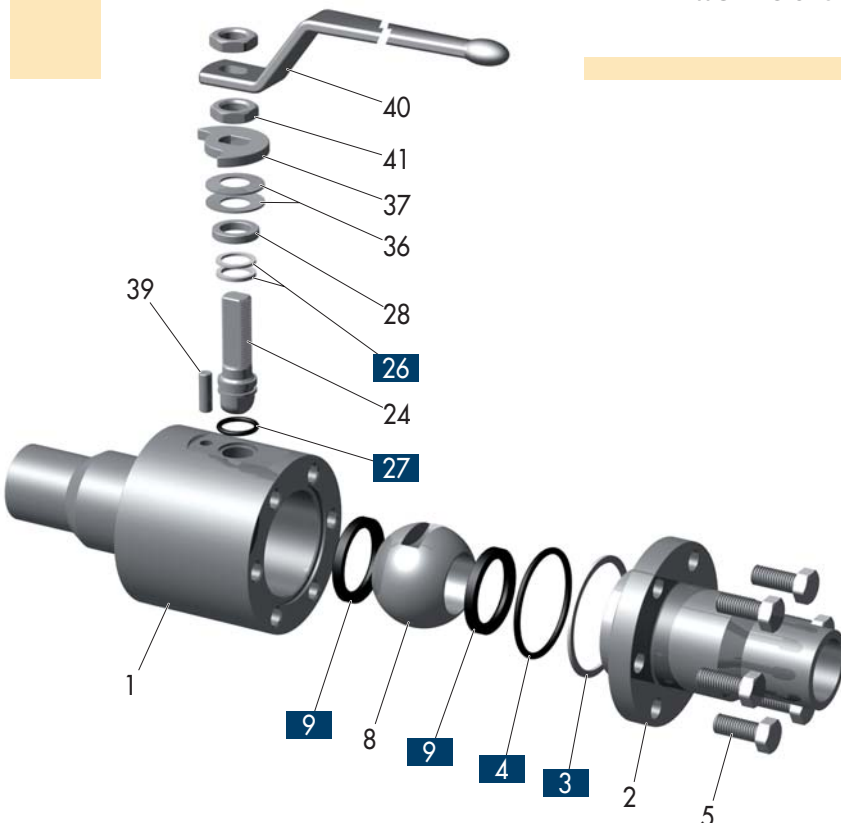
### OPTION:

- LOCKING DEVICE
- EXTENDED STEM
- METAL TO METAL SEAT
- GARLOCK PACKING



TWO PIECES FULL BORE

For materials see paragraph: TECHNICAL INFORMATION

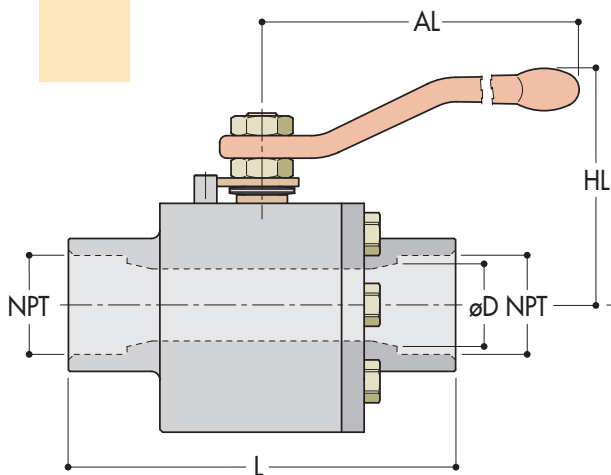


### Recommended spare parts

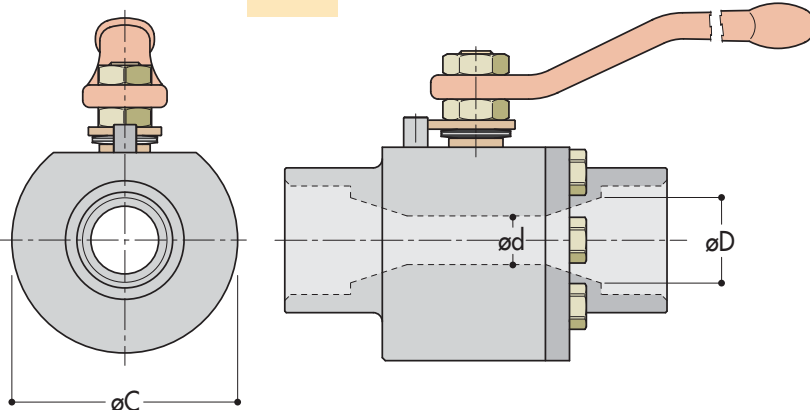
- |    |                |
|----|----------------|
| 1  | Body           |
| 2  | Closure        |
| 3  | Closure gasket |
| 4  | Closure O-Ring |
| 5  | Closure bolt   |
| 8  | Ball           |
| 9  | Seat insert    |
| 24 | Stem           |
| 26 | Stem gasket    |
| 27 | Stem O-Ring    |
| 28 | Ring           |
| 36 | Spring washer  |
| 37 | Stop sector    |
| 39 | Stop pin       |
| 40 | Lever          |
| 41 | Lever nut      |



**FULL BORE TYPE**



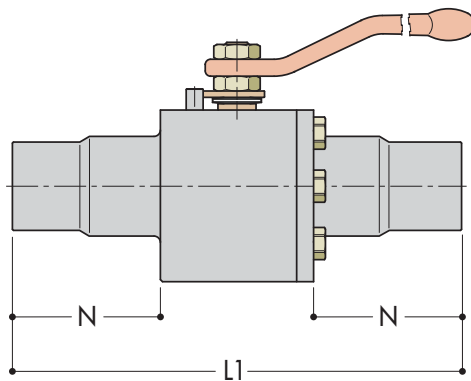
**REDUCED BORE TYPE**



	SIZE - Bore		FACE to FACE		ød	øD	øC	AL	HL	Weight
	Full	Reduced	L	L1						
800 lbs	1/2"	1/2" x 3/8"	110	210	10	14	58	180	85	3
		3/4" x 1/2"	120	215	14	19	68	180	85	3
	3/4"		135	225	19	25	78	180	85	4
		1" x 3/4"	140	228	19	25	78	215	135	6
	1"		145	230	25	32	88	215	135	7
		1 1/2" x 1 1/4"	180	235	32	38	100	274	140	14
1 1/2"		190	245	38	38	108	274	140	16	

	SIZE - Bore		FACE to FACE		ød	øD	øC	AL	HL	Weight
	Full	Reduced	L	L1						
1500 lbs	1/2"	1/2" x 3/8"	110	210	10	14	58	180	85	3
		3/4" x 1/2"	120	215	14	19	68	180	85	3
	3/4"		135	225	19	25	78	180	85	4
		1" x 3/4"	140	228	19	25	78	215	135	6
	1"		160	245	25	32	88	215	145	7
	1 1/2"		195	250	32	38	112	274	160	19

All dimensions are in mm, weights are in kg.



• Standard nipples N = 80 mm for BW - SW - PE ends • Available on request with different nipples lengths.

# Art. 20

## THREE PIECES SWING OUT BODY

- NPT - BSP - GAS M and F THREADED ENDS
- BW - SW - PE NIPPLED ENDS
- SOFT SEATED

Za.Ve.Ro. API 6D/BS 5351 floating ball Valves are 3 pieces, split body, side entry, in bolted execution, blowout proof stem, fitted with antistatic device. This valve is equipped with a "swing out body" which allows an easy in-line maintenance avoiding to cut the welded ends, since all the trim is included into the body cavity. Please refer to the tables on pages 51-52 for relevant information on available materials.



Available from: • 800-1500 lbs

FULL BORE	1/4"	3/8"	1/2"	3/4"	1"	1 1/4"	1 1/2"	2"						
DN	8	10	15	20	25	32	40	50						
REDUCED BORE	-	-	1/2"x3/8"	3/4"x1/2"	1" x 3/4"	1 1/4"x1"	1 1/2"x1 1/4"	2" x 1 1/2"						
800 lbs	●	●	●	●	●	●	●	●						
1500 lbs	●	●	●	●	●	●	●	●						

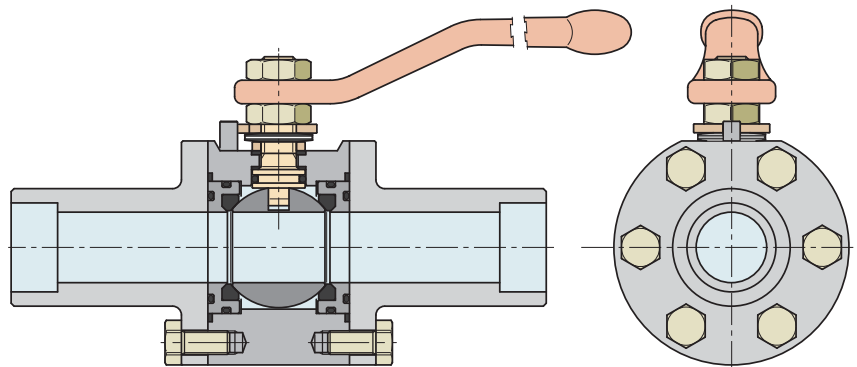
● Size available      ■ Size not available

### CONSTRUCTION:

- API 6D
- B16.34
- BS 5351
- FIRE SAFE SYSTEM API 607
- ANTISTATIC
- TA-LUFT - 3.1.8.4

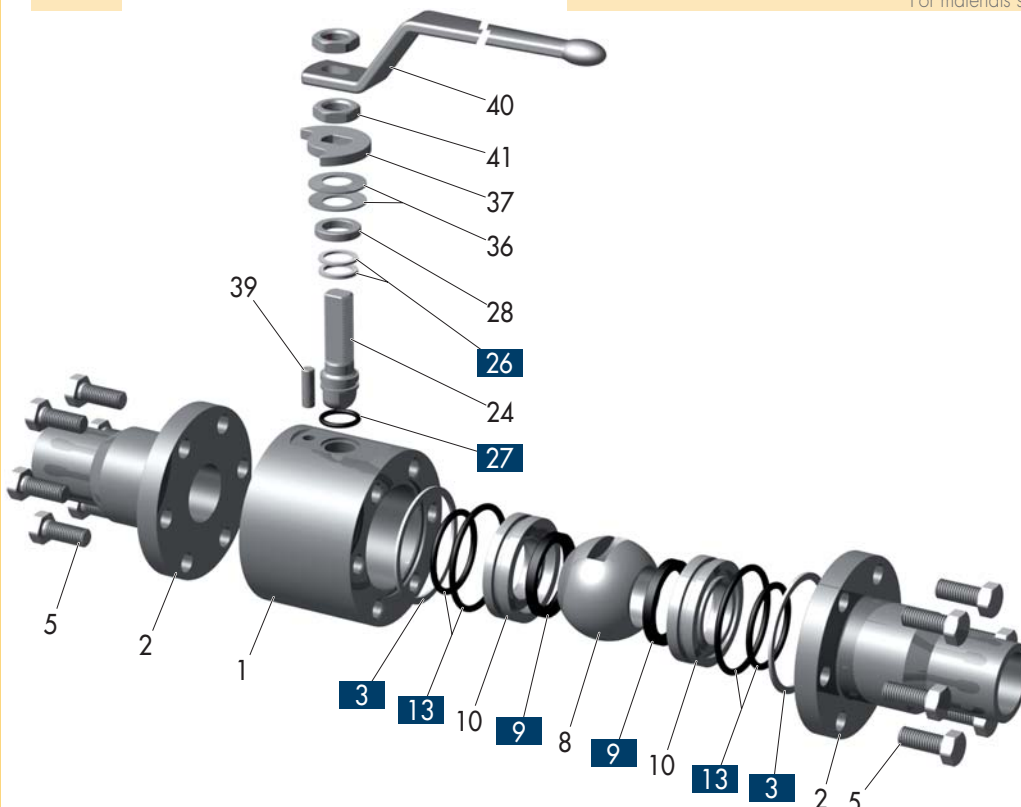
### OPTION:

- LOCKING DEVICE
- EXTENDED STEM



### THREE PIECES

For materials see paragraph: TECHNICAL INFORMATION

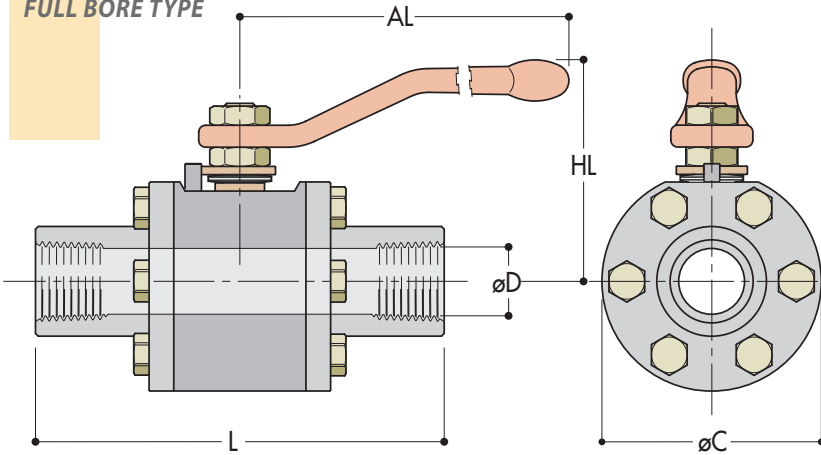


### Recommended spare parts

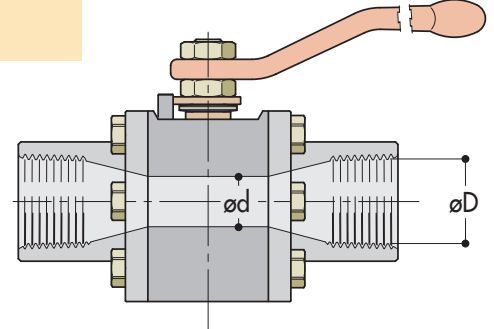
- |    |                |
|----|----------------|
| 1  | Body           |
| 2  | Closure        |
| 3  | Closure gasket |
| 5  | Closure bolt   |
| 8  | Ball           |
| 9  | Seat insert    |
| 10 | Seat ring      |
| 13 | Seat O-Ring    |
| 24 | Stem           |
| 26 | Stem gasket    |
| 27 | Stem O-Ring    |
| 28 | Ring           |
| 36 | Spring washer  |
| 37 | Stop sector    |
| 39 | Stop pin       |
| 40 | Lever          |
| 41 | Lever nut      |



**FULL BORE TYPE**



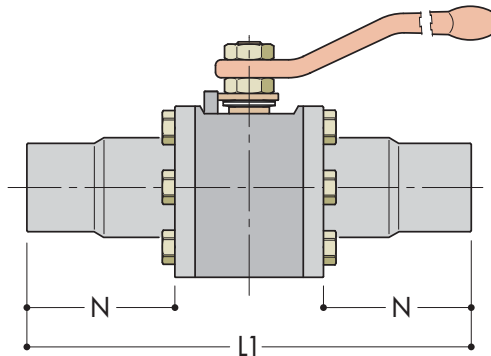
**REDUCED BORE TYPE**



800 lbs	SIZE - Bore		FACE to FACE		ød	øD	øC	AL	HL	Weight
	Full	Reduced	L	L1						
	1/2"	1/2" x 3/8"	95	215	10	14	55	140	64	2
	1/2"	3/4" x 1/2"	140	230	14	19	68	180	77	2.5
	3/4"	1" x 3/4"	140	230	19	25	83	215	127	3
	1"	1 1/2" x 1 1/4"	155	235	25	32	108	215	120	5
	1 1/2"		185	265	38	108	215	120		5

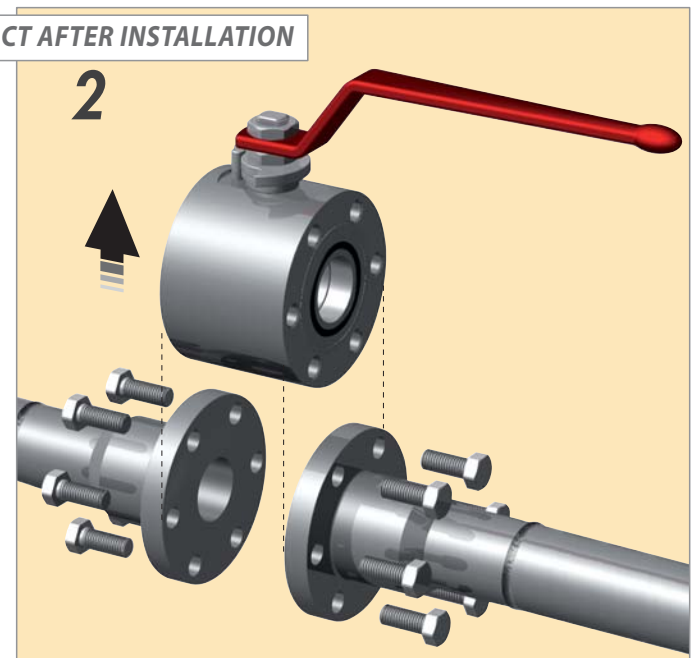
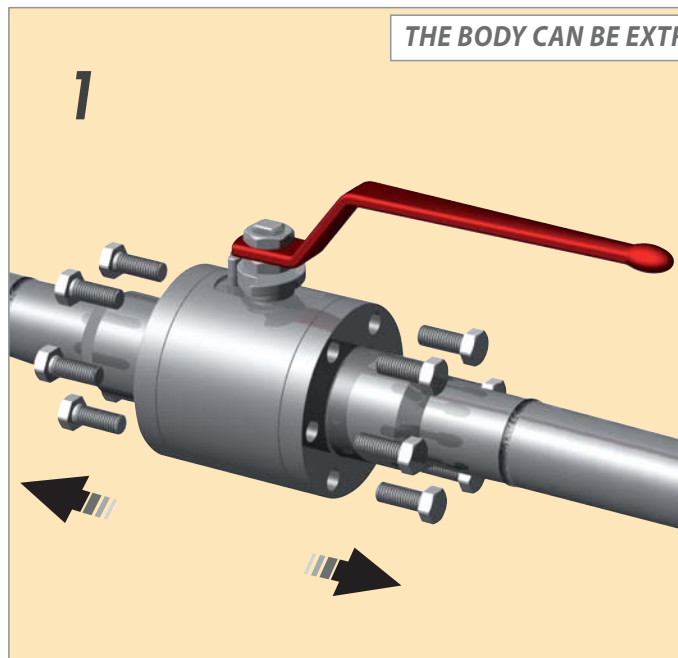
1500 lbs	SIZE - Bore		FACE to FACE		ød	øD	øC	AL	HL	Weight
	Full	Reduced	L	L1						
	1/2"	1/2" x 3/8"	95	215	10	14	55	140	64	2
	1/2"	3/4" x 1/2"	140	230	14	19	68	180	77	2.5
	3/4"	1" x 3/4"	140	230	19	25	87	215	127	3.5
	1"	1 1/2" x 1 1/4"	165	245	25	32	112	215	130	7
	1 1/2"		190	270	38	112	215	130		7

All dimensions are in mm, weights are in kg.



• Standard nipples N = 80 mm for BW - SW - PE ends  
Available on request with different nipples lengths.

**THE BODY CAN BE EXTRACT AFTER INSTALLATION**



For further details see paragraph: **TECHNICAL INFORMATION**

*ZA.VE.RO. S.r.L. - 28075 GRIGNASCO (NO) Italy - Via Arturo Biella,1  
Tel. +39.0163.411337 - Fax +39.0163.411322 - web: [www.zavero.com](http://www.zavero.com) - e-mail: [info@zavero.com](mailto:info@zavero.com)*

